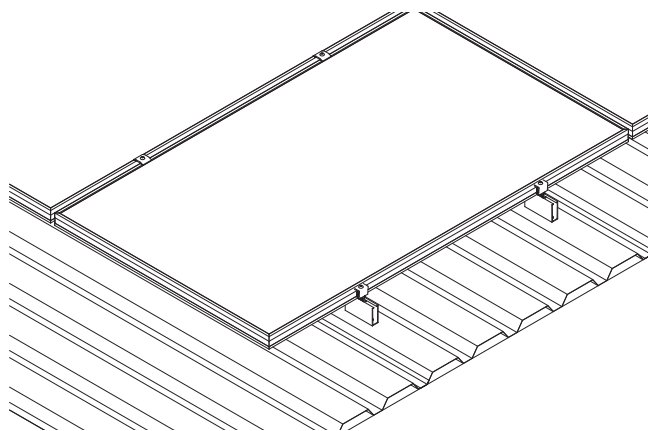


System Datasheet

MS+H



General

System	PV-Mounting system for trapezoidal metal sheet
Content	Mounting bracket, fastening elements, module clamps
System warranty	10 years
Application area	Pitched metal sheet roofing (except hydrogen sulfide exposition)
Roof covering	Trapezoidal metal sheet made of steel and aluminum Sandwich trapezoidal sheet according to manufacturer released
Metal sheet thickness	Steel: 0.4-1.25 mm / Aluminum: 0.5-1.5 mm
Distance to roof covering	70 mm
Roof slope	min. 5°/max. 45°

System properties

Module tilt	Roof parallel
Material	Stainless steel, aluminum and EPDM

Modules

Type	PV-modules with frame height between 30-50 mm
Module size (max)	Length: unlimited; Width: unlimited
Module guidance	Vertical/Portrait

Certifications

TÜV	ID1111212485 according to 2PfG
Building authority approval	Z-14.1-4, Z-14.1-537 (Fastening material)

Services

PV layout	Provided by Renusol
-----------	---------------------